
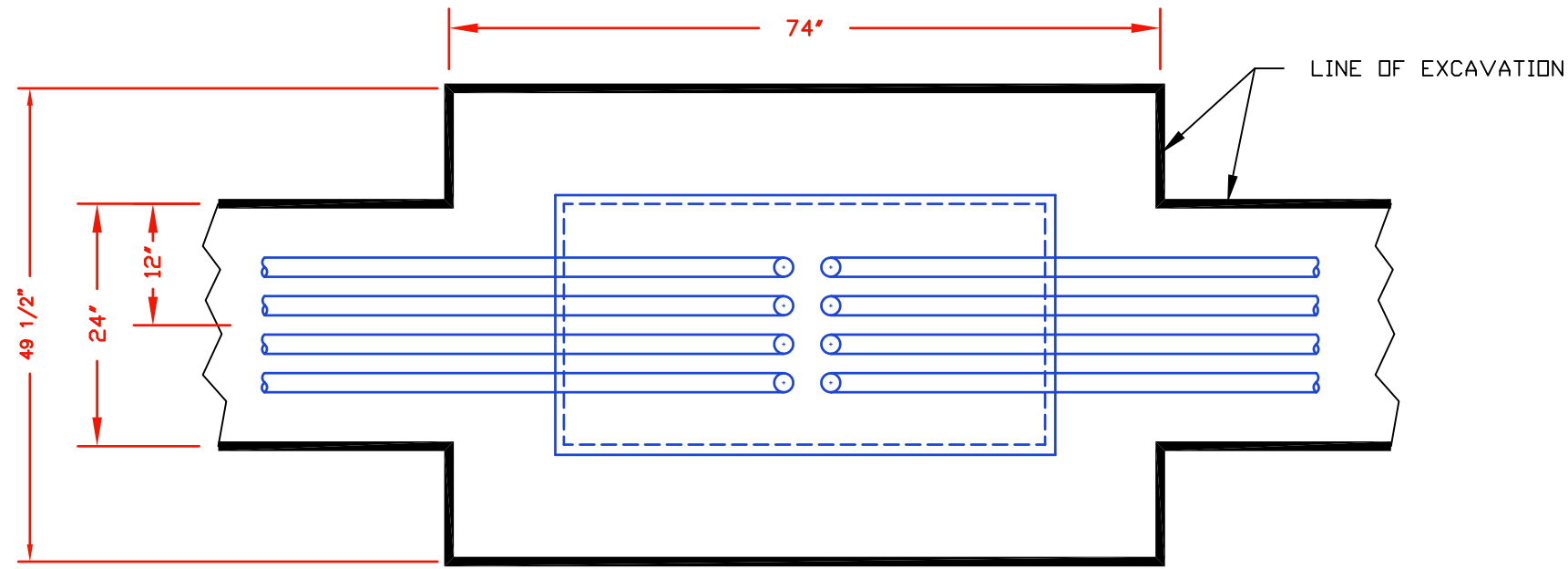


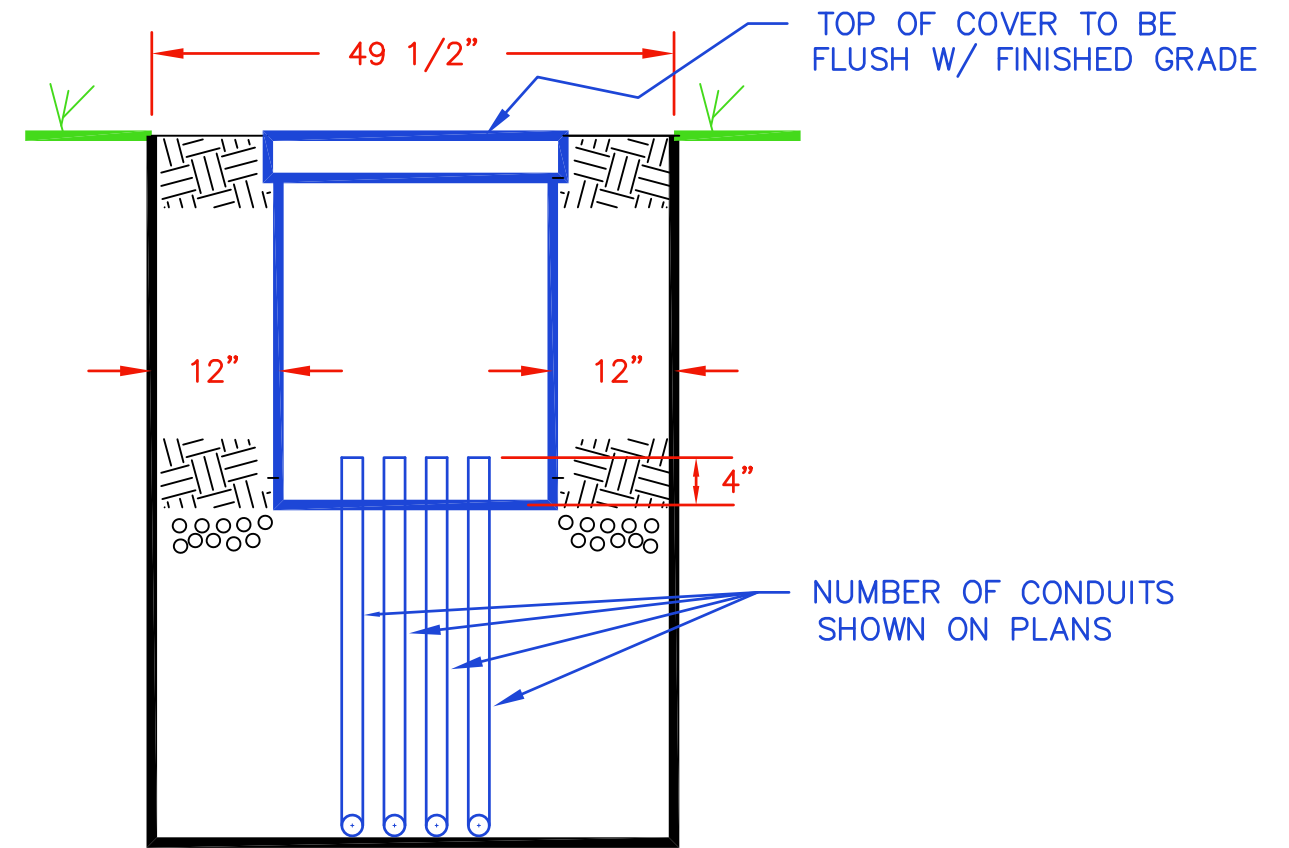
Notes:

1. Conduits run horizontal to water or gas lines must have a minimum 36" horizontal separation.
2. Telephone or cable utility minimum separation from MTE ducts shall be either:
 - a.) 36" parallel
 - b.) 12" vertical
3. All foreign utility perpendicular crossings must have 12" minimum separation from MTE ducts.
4. Electrical conduit shall be gray PVC schedule 40 with long integral bells. The size and number as specified by MTE and indicated on the plans. Long couplings as defined in Appendix B shall be used as necessary. Comm conduit shall be 2" HDPE SDR 13.5, orange with red stripe, for main comm line and mulit-drop conduits. Comm conduit is 1" PVC sch. 40 for single drops.
5. Install Jetline pull string with minimum 200 lb tensile strength in each conduit.
6. Omit telephone or catv utility duct requirement if not being installed.
7. If conductor is not to be initially installed in the duct bank, a #14 thhn cu tracer wire shall be installed inside one of the interior conduits or center conduit if an odd number of conduits are installed. If one end of the conduit is just a stub out 10 feet or longer, the tracer wire shall be bent back to the outside of the conduit and securely taped such that the wire can't be pulled out easily. There shall be 10' tails left in all enclosures for MTE to connect to ground. See MTE local engineering for questions.
8. Developer/owner is responsible for providing MTE a clean and obstruction free conduit system.

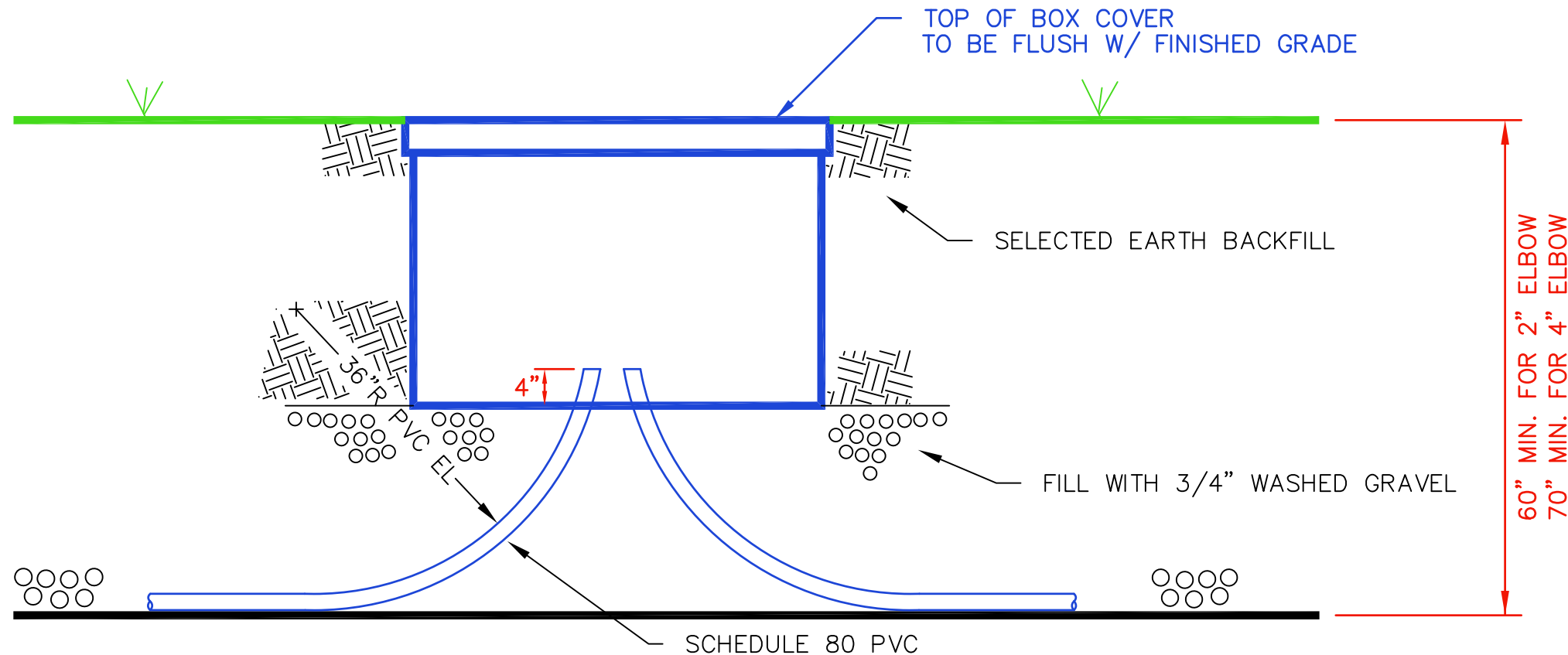
	
<p>PRIMARY DITCH DETAIL</p>	
<p>DRAWING NUMBER:</p> <p style="font-size: 2em; text-align: center;">2G</p>	<p>REVISED DATE: JAN. 2, 2023</p> <p>SCALE: <u>NONE</u></p> <p>SHEET: <u>1</u> OF <u>1</u></p>



PLAN VIEW



END VIEW



SIDE VIEW

NOTES:

1. DEVELOPER SHALL FURNISH AND INSTALL PULLBOX PER MTE SPECIFICATIONS. CATALOG NUMBERS ARE LISTED IN APPENDIX B.
2. SIZE AND NO. CONDUITS SHOWN ON PLANS.
3. ALL CONDUIT ELBOWS SHALL BE CAPPED UPON INSTALLATION.
4. ALL ELBOWS TO BE SCHEDULE 80 PVC.



CONSTRUCTION DETAIL
48L X 30W X 36D PULL BOX

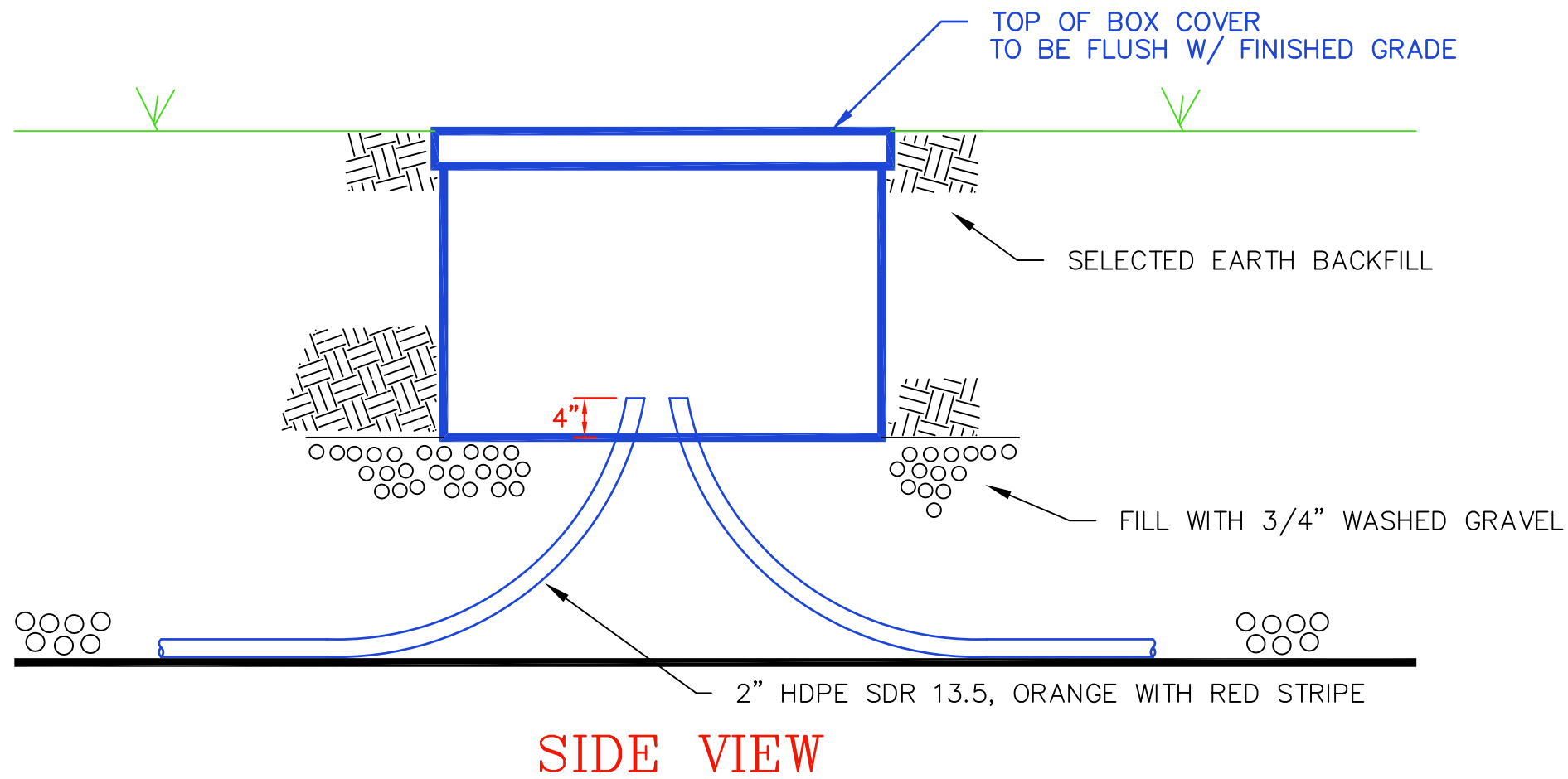
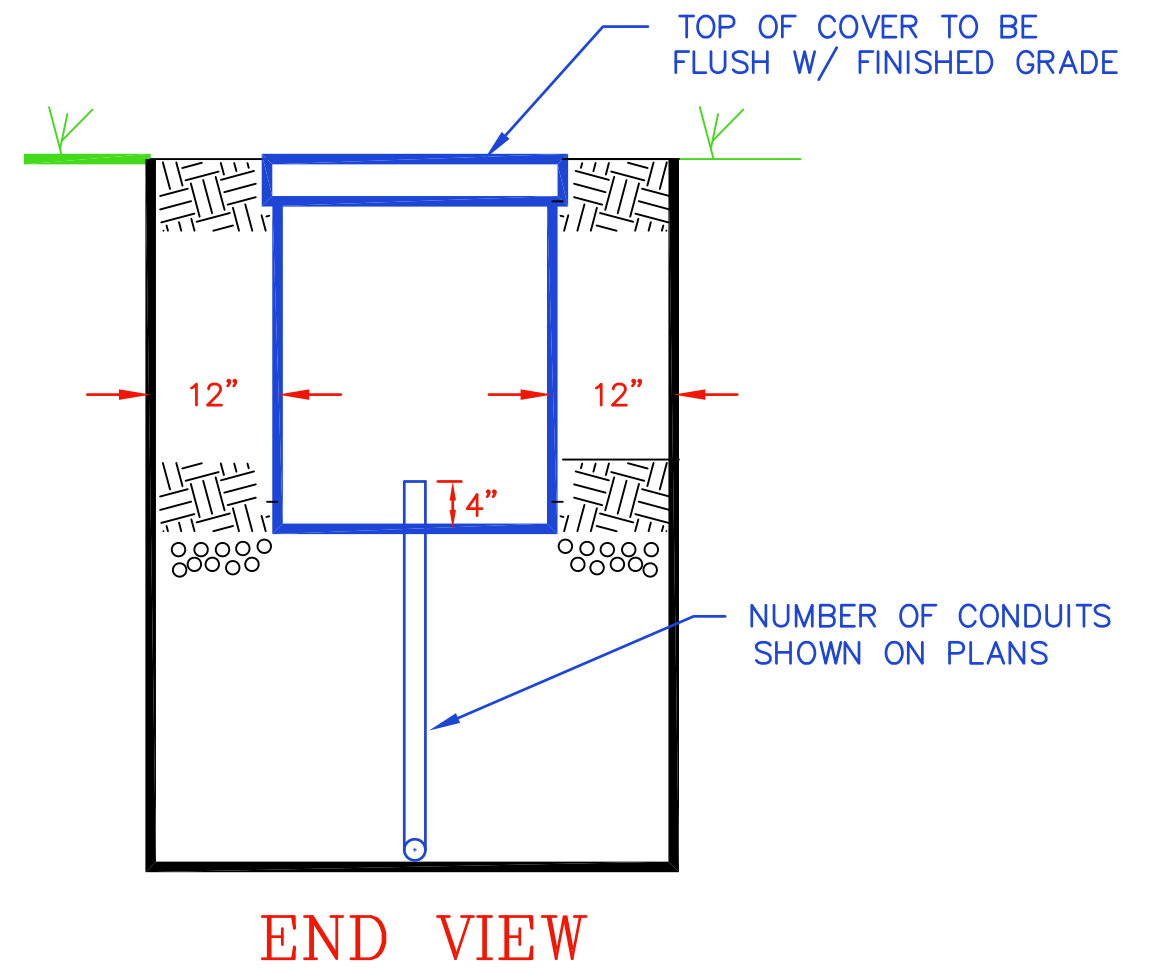
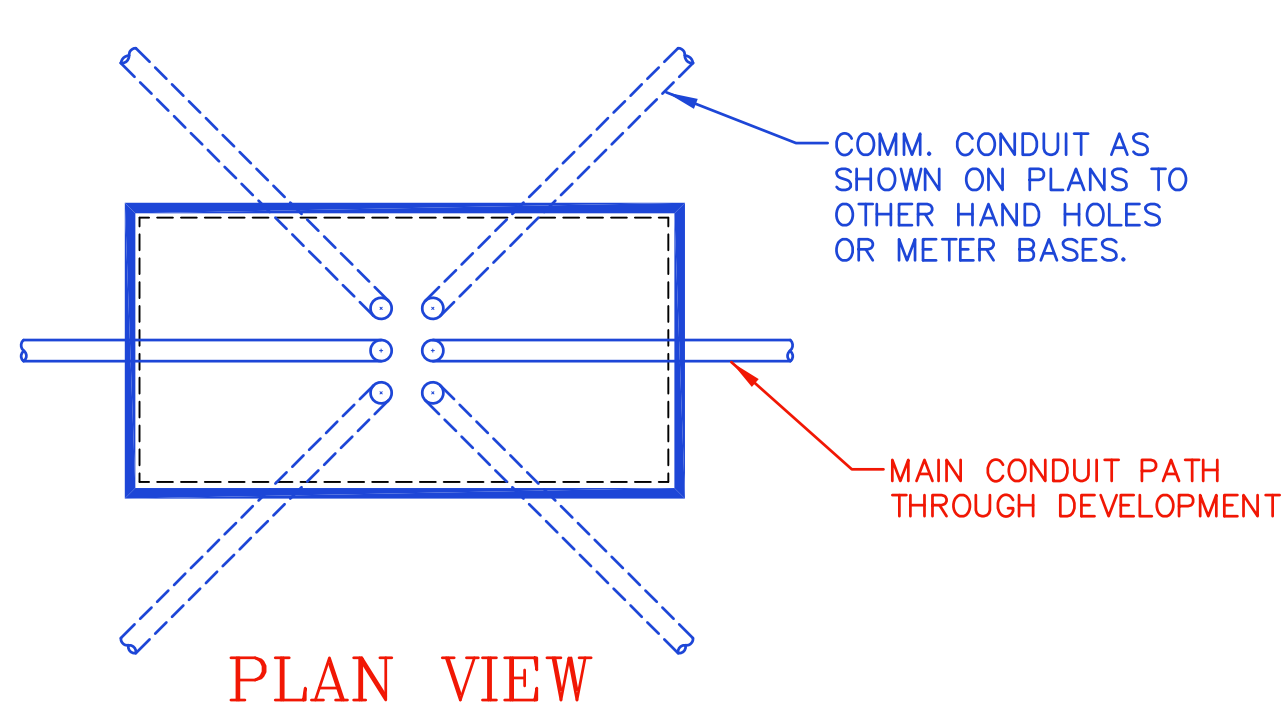
DRAWING NUMBER:

PB-1

REVISED DATE:
JULY 1, 2022

SCALE: NONE

SHEET: 1 OF 1



NOTES:

1. DEVELOPER SHALL FURNISH AND INSTALL HAND HOLES PER MTE SPECIFICATIONS. CATALOG NUMBERS ARE LISTED IN APPENDIX B.
2. SIZE AND NUMBER CONDUITS SHOWN ON PLANS.
3. ALL CONDUIT ELBOWS SHALL BE CAPPED UPON INSTALLATION.



CONSTRUCTION DETAIL
HAND HOLE BEDDING DETAIL
FOR MTE COMM

DRAWING NUMBER:

HH-1

REVISED DATE:
JAN. 3, 2022

SCALE: NONE

SHEET: 1 OF 1